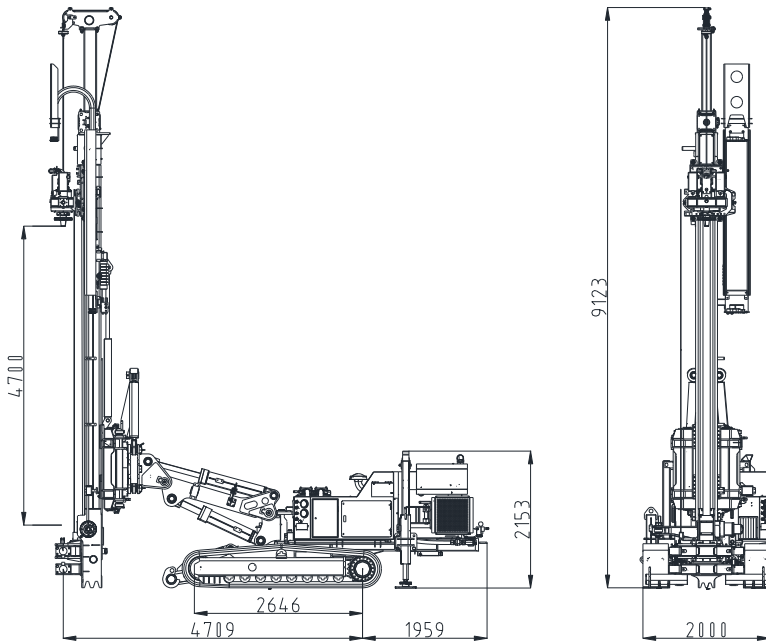




Data Sheet 06/04/16

CLASS5 MULTIPURPOSE RIG

MODEL: MD Class5



CLASS5 SERIES MULTIPURPOSE DRILL SUITABLE FOR ANCHORS, TIE-BACK, MICROPILES, SOIL INVESTIGATION.

PERFORMANCE DATA

		STANDARD MAST
PULLBACK FORCE	N	100.000
THRUST FORCE	N	100.000
ROTARY STROKE	mm	1.200
ROTARY TRAVEL SPEED (MAX)	m/min	40
WEIGHT (BASIC RIG, DRY WEIGHT)	kg	15.600

ENGINE OPTIONS

		MD515	MD518	MD516	MD518
ENGINE MAKE / MODEL		Caterpillar C4.4	Deutz TCD2013 L04	Deutz TCD 4.1 L4	Caterpillar C4.4 Acert
ENGINE POWER	kW (hp) @ rpm	107 (144) @ 2.200	125 (170) @ 2.200	115 (156) @ 2.200	127 (173) @ 2.200
OIL FLOW	L/min	353	353	353	353
OIL TANK	L	315	315	315	315
FUEL TANK	L	130	130	130	130

ROTARY OPTIONS

SINGLE ROTARY PERFORMANCE

ROTARY MODEL		R001500RH	R001500HP	R000975RH	R003200RH	R003200HP
LOWER RANGE	Nm @ rpm	15.000 @ 35	15.000 @ 45	13.000 @ 50	32.000 @ 17	32.000 @ 22
	Nm @ rpm	7.500 @ 70	9.200 @ 80	6.550 @ 105	16.000 @ 34	18.000 @ 40
HIGHER RANGE	Nm @ rpm	7.500 @ 70	7.000 @ 100	1.650 @ 290	16.000 @ 34	14.000 @ 50
	Nm @ rpm	3.750 @ 140	4.600 @ 140	770 @ 600	8.000 @ 70	9.200 @ 70



Data Sheet 06/04/16

CLASS5 MULTIPURPOSE RIG

MODEL: MD Class5

STANDARD FEATURES

↻ CRAWLER

Steel crawler.

↻ MAST

High tensile steel with power chain driven by a hydraulic motor positioned on the lower side of the mast.

↻ ROTARY TROLLEY

Smooth rotary travel along the mast is guaranteed using adjustable bearings.

The Slidramatic side slide allows off-axis rotary shift to improve access.

↻ ENGINE

Euro 3 and 4 engines depending from the country regulation with electronic control.

↻ SOUNDPROOF ENCLOSURE

The power unit is protected by a soundproof compartment to reduce sound output and improve operator comfort.

↻ CONTROLS

Rig versions:

- with cable remote control panel and panel stand for improved safety and comfort

↻ TOP HAMMER

The hydraulic circuit is designed to install a top hammer device (available on request).

ACCESSORIES AVAILABLE ON REQUEST

Note: The following items can be added to the standard drill rig dressing **upon request**. In some cases, the components are **REPLACED** by alternative items. Different combinations may affect declared performance data.

A000200HV	GATE VALVE	X000100ID	INCLINOMETER DISPLAY		
A030081LO	LINE OILER	X000100JT	JET GROUTING TIMER		
C058320ES	CLAMP SET	Y000100CL	CLAMP FORCE LIMITER		
C058450ES	CLAMP SET	Y000100FB	FORCE BALANCING KIT		
P050050WT	TRIPLEX WATER PUMP				
P015150WT	TRIPLEX WATER PUMP				
P170040MP	PISTON MUD PUMP				
R000975RH	ROTARY HEAD				
R003200RH	ROTARY HEAD				
W130046CW	COMPACT WINCH				
W175046ST	WINCH				

E.G.T. S.R.L.

Via Berna 1 loc. Interporto
43010 Bianconese di Fontevivo
Parma - Italy

Tel +39 (0521) 6185121

E-mail info@egt.it
Web www.egt.it

DISTRIBUTED BY:

E.G.T. RESERVES THE RIGHT TO MODIFY DATA WITHOUT GIVING PRIOR NOTICE.
BECAUSE OF DIFFERENT NORMS, IMAGES, DATA AND ILLUSTRATIONS ARE INDICATIVE AND HENCE NOT BINDING

This is equipment